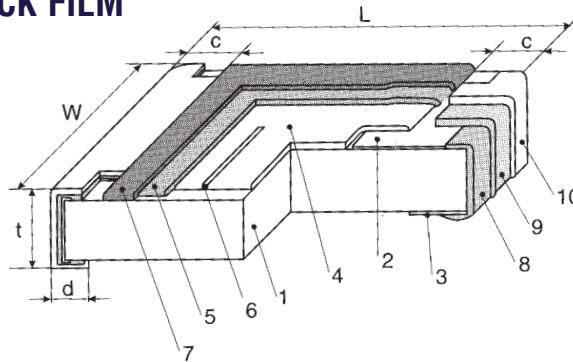


FLAT CHIP HIGH QUALITY SOUND THICK FILM RK73A



STRUCTURE

- 1 Ceramic substrate
- 2 Top termination (Ag Pd)
- 3 Bottom termination (Ag Pd)
- 4 Resistive layer
- 5 Glass layer
- 6 Trimming cut
- 7 Protective layer
- 8 End termination
- 9 Diffusion barrier (Ni)
- 10 Solder plating



IDENTIFICATION

TYPE	COATING COLOR	MARKING
RK73A	Black	Light Blue, 3 digits

Products with Pb-free terminations meet RoHS requirements

TYPE DESIGNATION (HOW TO ORDER)

Old Part No.	RK73AD	1J	J	TD	10R		
New Part No. (Pb-free)	RK73A	1J		T	TD	J	
	PRODUCT CODE	STYLE	TOLERANCE	TERMINATION SURFACE MATERIAL	TAPING*	NOMINAL RESISTANCE	TOLERANCE
		1J: 0603 2A: 0805 2B: 1206		T: Sn L: Sn/Pb	*Please see "PACKAGING"	3 digits	J: ±5% G: ±2%

FEATURES

- RuO₂ thick film resistor element
- Anti-leaching nickel barrier terminations
- For high resolution sound and clarity in signal processing and audio circuits
- Produced with selected materials in a special process
- Ideal for use in audio equipment (CD, amplifier, etc.) and video equipment (Hi-Fi Video, DVD, etc.)
- Rated ambient temperature: +70° C
- Meets or exceeds IEC 60 115-8
- Suitable for reflow and wave soldering

What is a "High Quality Sound Resistor"?

- The quality sound resistor creates high fidelity sounds with high resolution and clarity when used in Signal Processing Circuits (D/A Converter, Amplifier, ... etc.) for sound related equipment such as Audio and Voice signals.
- It is the same shape and compatible with RK73 Series.

Comparison with general purpose chip resistors:

- Production Method: Strictly selected materials are used for high quality sound and the production is controlled at specialized processes.
- Performance: The general characteristics are the same as standard resistors, which makes it possible to be used for existing models.
- Sound Quality: Heavy bass echo, high frequency sound, resolution, clarity, etc. are improved.

RATING

SIZE	TYPE	T.C.R. (ppm/K)	POWER* RATING	MAX. WORKING VOLTAGE	MAX. OVERLOAD VOLTAGE	RESISTANCE RANGE (E24)		OPERATING TEMPERATURE RANGE
						G (±2%)	J (±5%)	
0603	RK73A 1J	± 200 ± 250	0.1 W	50 V	100 V	10 Ω ~ 1 MΩ	10 Ω ~ 1 MΩ	- 55° C ... + 155° C
						2.2 Ω ... 9.1 Ω	2.2 Ω ... 9.1 Ω	
0805	RK73A 2A	± 200 ± 250	0.125 W	150 V	200 V	10 Ω ~ 1 MΩ	10 Ω ~ 1 MΩ	
						2.2 Ω ... 9.1 Ω	2.2 Ω ... 9.1 Ω	
1206	RK73A 2B	± 200 ± 250	0.25 W	200 V	400 V	10 Ω ~ 1 MΩ	10 Ω ~ 1 MΩ	
						2.2 Ω ... 9.1 Ω	2.2 Ω ... 9.1 Ω	

* For resistors operated at an ambient temperature of 70°C or above, the power rating shall be derated.

Specifications given herein may be changed at any time without prior notice. Please confirm technical specifications before you order and/or use.